

# ELKAY® SPECIFICATIONS

## No Lead Swirlflo® Countertop Drinking Fountain with Push Button Model DRKR14RC



### GENERAL

Countertop mounted drinking fountain constructed of #18 gauge, type 304 stainless steel polished to a lustrous satin finish. Contoured basin minimizes splashing and is furnished with chrome plated push button complete with in-line flow regulator provides constant stream from 20 to 105 psi water pressure. Fountain securely mounts to countertop with bracket provided. Meets all known sanitary codes.

### NO LEAD DESIGN

**THIS DRINKING FOUNTAIN COMPLIES WITH THE LEAD-FREE DEFINITION IN THE SAFE DRINKING WATER ACT OF 1986 AND LEAD CONTAMINATION CONTROL ACT OF 1988.**

### CONSTRUCTION

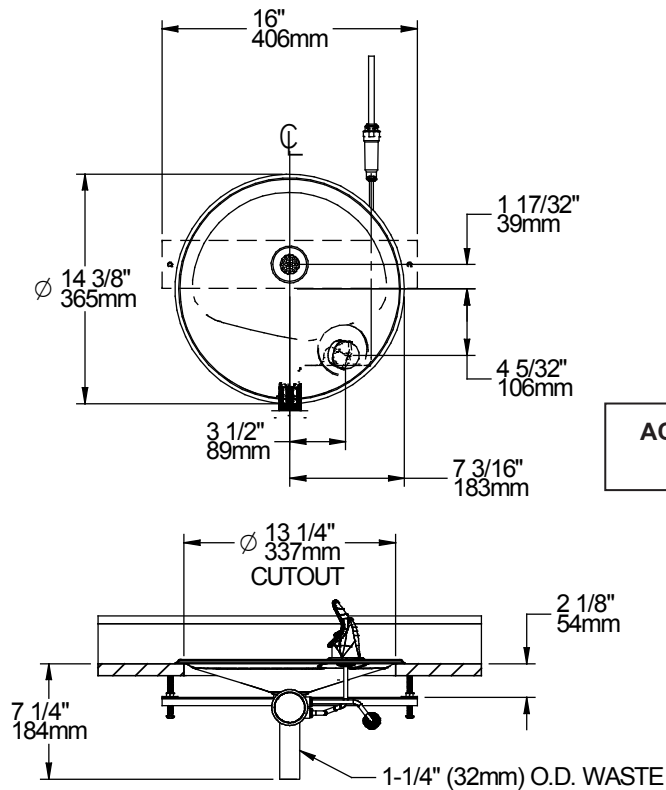
Model DRKR14RC countertop type drinking fountain furnished complete with Flexi-Guard® Safety bubbler which utilizes an infused anti-microbial pliable polyester elastomer to prevent accidental mouth injuries. Flexes on impact. Fully assembled front push button.

### STANDARDS

This fountain is certified by WQA to lead-free compliance including NSF/ANSI 61 and 372.



Model DRKR14RC



ACCEPTS COUNTERTOP THICKNESS  
Up To 1-5/8"

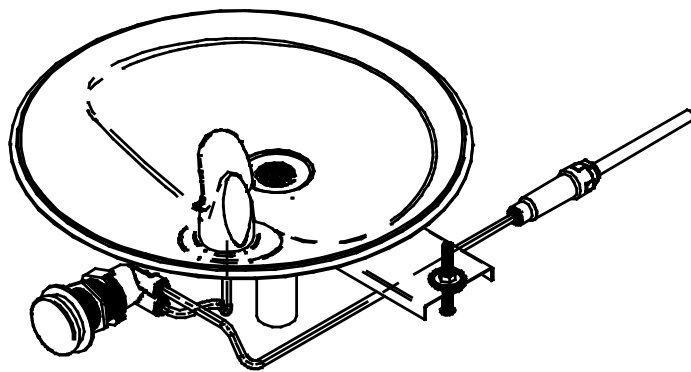
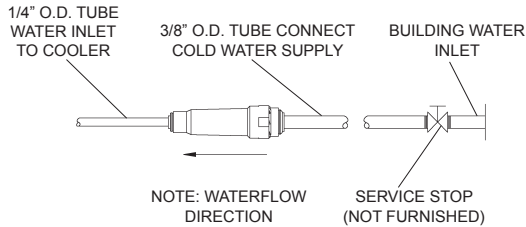
*This specification describes an Elkay product with design, quality and functional benefits to the user. When making a comparison of other producer's offerings, be certain these features are not overlooked.*

**No Lead Swirlflo® Countertop  
Drinking Fountain with Push Button  
Model DRKR14RC**

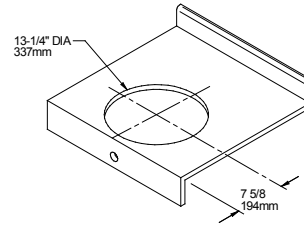
**ELKAY®  
ROUGH-IN DIMENSIONS**

**INSTALLER NOTE**

THIS DRINKING FOUNTAIN IS FURNISHED WITH A BUBBLER AND VALVE INCLUDING ALL CONNECTING FITTINGS WHICH ARE MANUFACTURED OF COMPLETELY LEAD FREE MATERIAL. IT IS RECOMMENDED THAT SHUT OFF VALVE AND SUPPLY TUBING SUPPLIED BY OTHERS BE NON-METALLIC.

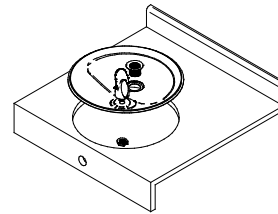


PUSH BUTTON DETAIL



1. MAKE 13-1/4" (337mm) DIAMETER CUTOUT IN DESIRED LOCATION ON COUNTERTOP.

2. INSTALL BUBBLER ASSEMBLY TO FOUNTAIN. ALIGN RECESS IN UNDERSIDE OF BUBBLER WITH DIMPLE IN FOUNTAIN.



3. APPLY CAULK (NOT FURNISHED) AROUND CUTOUT AND WASTE OPENING. PLACE FOUNTAIN OVER OPENING AND DROP IN STRAINER.

4. FROM UNDERSIDE . . . POSITION AND SECURE TIEDOWN BRACKET USING WASTE FITTING.

5. USE SCREWS WITH NUTS TO TIGHTEN UNIT TO COUNTERTOP. WIPE OFF EXCESS CAULKING.

